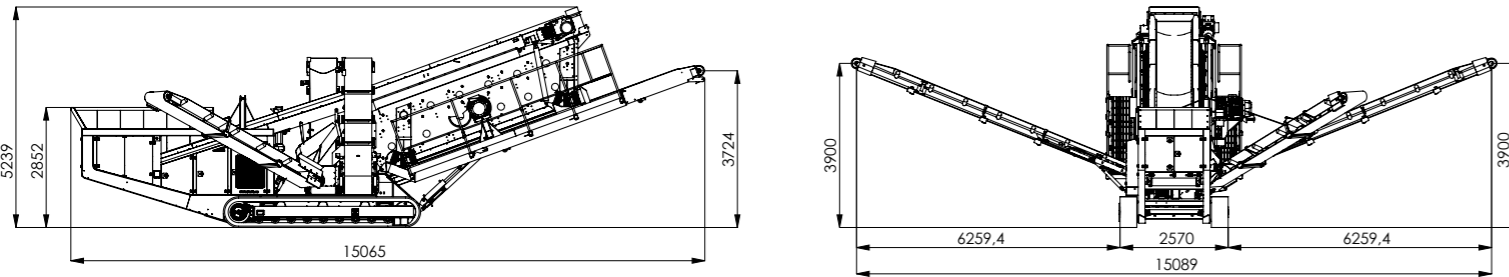
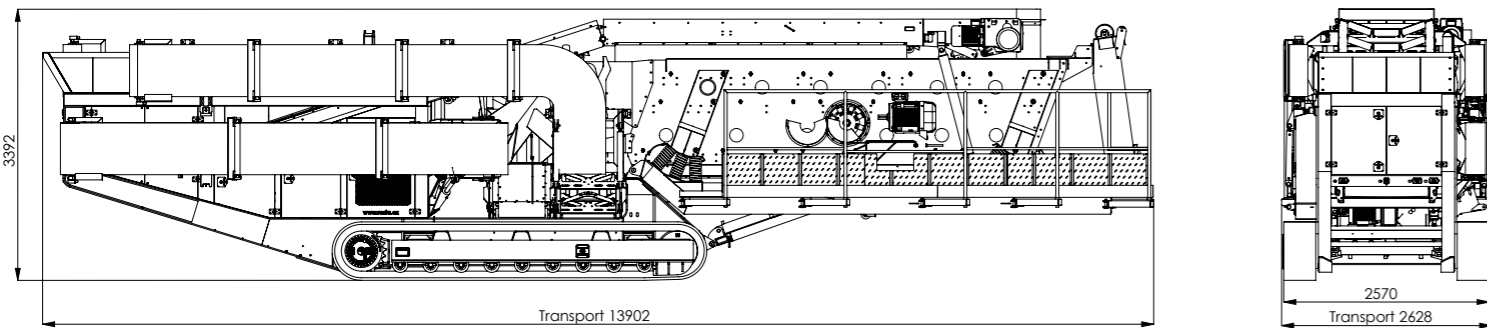


VERSION

Working position



Transport position



RESTA s.r.o

Contact:

Kojetínská 3120/75
750 02 Přerov
Czech Republic

+420 581 741 811
Fax +420 581 299 958
rest@resta.cz

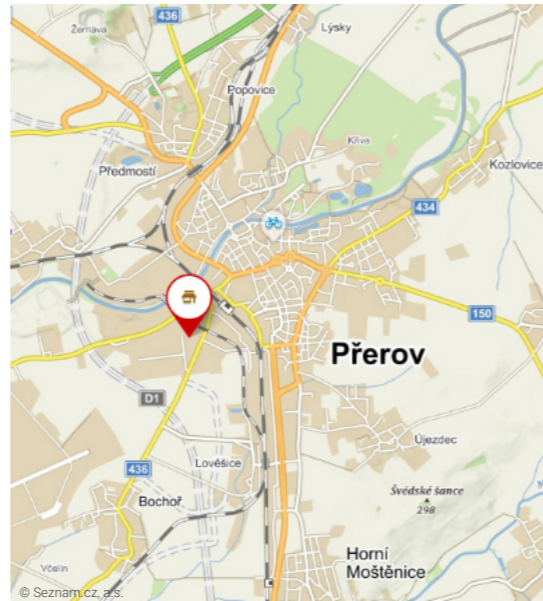
Company identification:

CRN: 14616807
TIN: CZ14616807

GPS: 49.4435458 N, 17.4361281 E



www.resta.cz



RESTA TH5-3 Mobile screener



Max. feed size	max. 200 mm
Final product	4-100 mm (4 final products according to used screen mesh)
Throughput	150 - 270 t/h
Hopper	4 m ³
Weight	26 t

DESIGNED FOR:



RESTA s.r.o.
CRN: 14616807
TIN: CZ 14616807

Kojetínská 3120/75
750 02 Přerov
Czech Republic

rest@resta.cz
+420 581 741 811

www.resta.cz

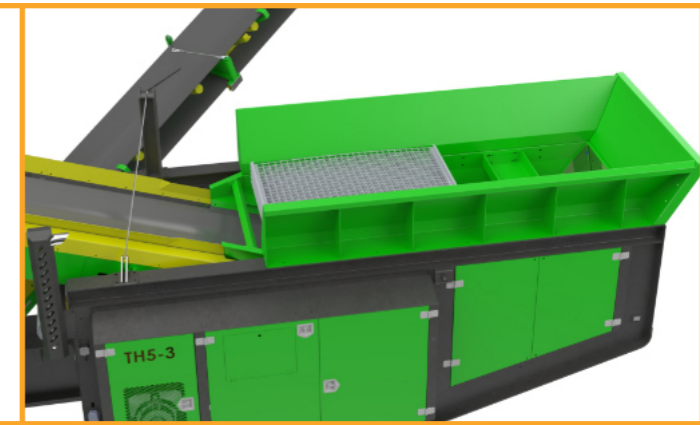
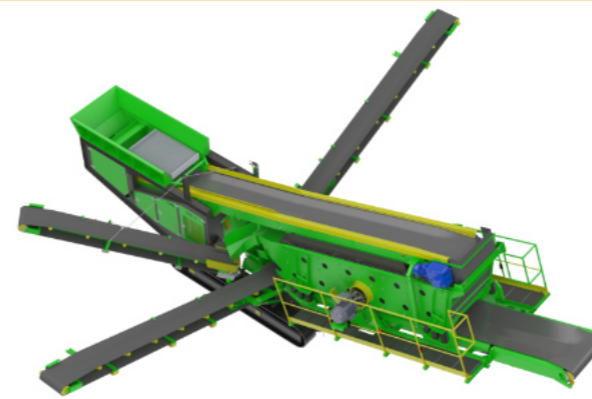


RESTA s.r.o.
CRN: 14616807
TIN: CZ 14616807

Kojetínská 3120/75
750 02 Přerov
Czech Republic

rest@resta.cz
+420 581 741 811

www.resta.cz



Maintenance and service

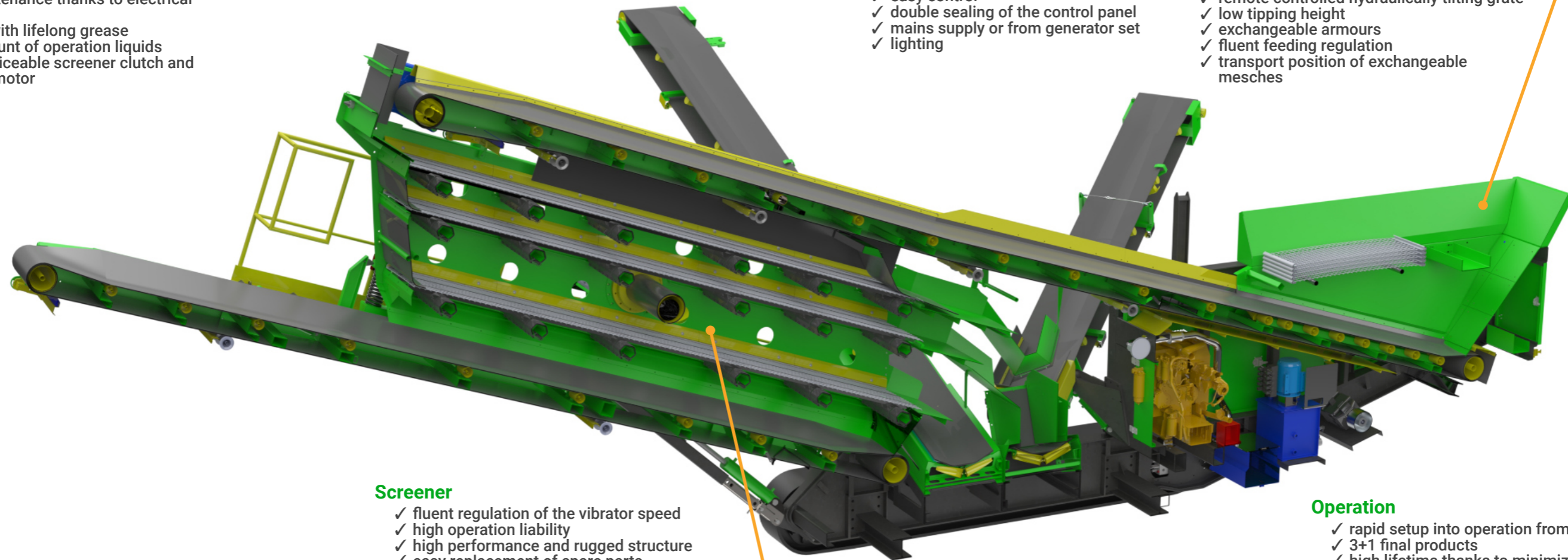
- ✓ easy maintenance thanks to electrical drives
- ✓ bearings with lifelong grease
- ✓ small amount of operation liquids
- ✓ easily serviceable screener clutch and electrical motor

Control panel

- ✓ easy control
- ✓ double sealing of the control panel
- ✓ mains supply or from generator set
- ✓ lighting

Hopper

- ✓ remote controlled hydraulically tilting grate
- ✓ low tipping height
- ✓ exchangeable armours
- ✓ fluent feeding regulation
- ✓ transport position of exchangeable meshes



Screener

- ✓ fluent regulation of the vibrator speed
- ✓ high operation liability
- ✓ high performance and rugged structure
- ✓ easy replacement of spare parts
- ✓ all meshes side tensioned
- ✓ option of screener inclination from 18° to 22°

Operation

- ✓ rapid setup into operation from transport position
- ✓ 3+1 final products
- ✓ high lifetime thanks to minimization of hydraulic system
- ✓ low operating costs due to electrical drives
- ✓ option to change working angle of the screener
- ✓ dust suppression

Transport

- ✓ rapid setup into operation from transport position without the need of disassembly
- ✓ easy handling
- ✓ remote control

